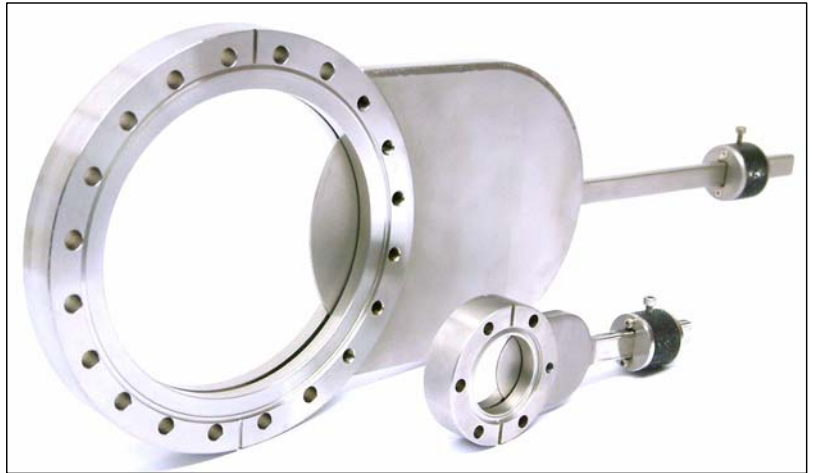


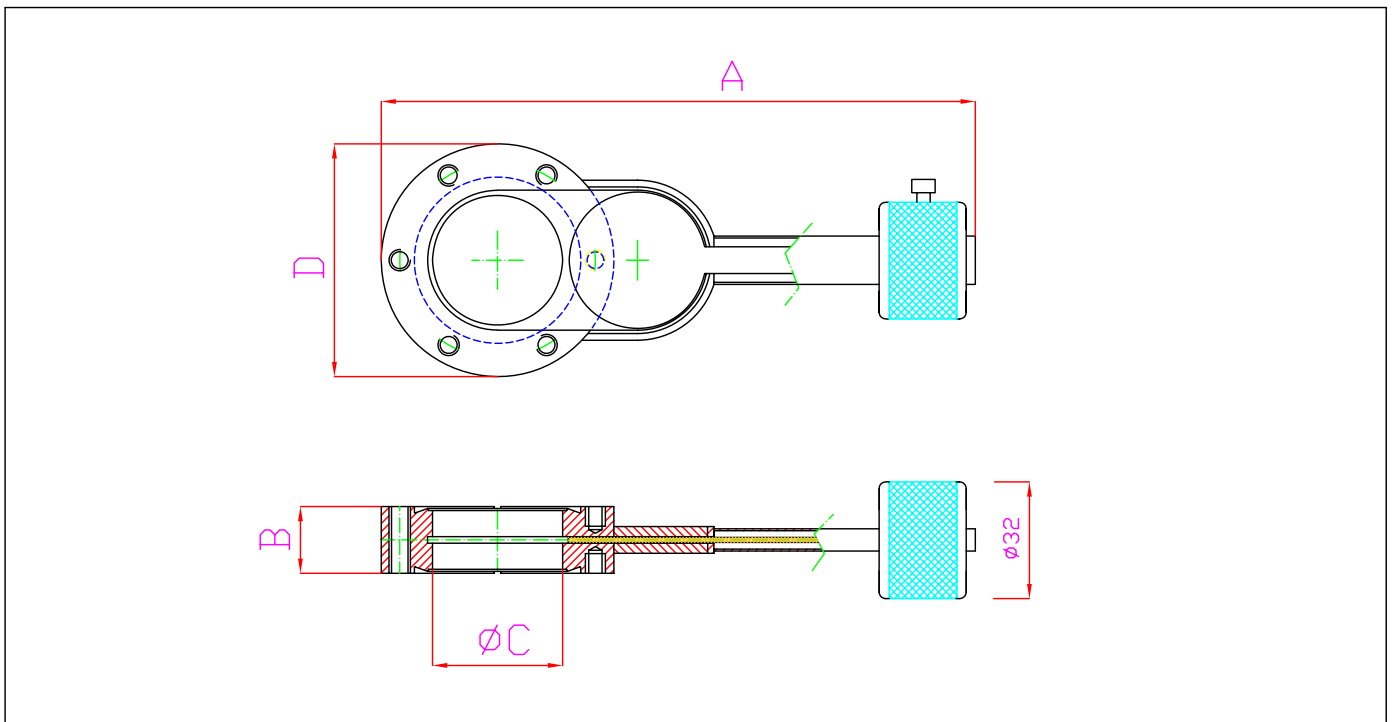
THIN SHUTTER

**HIGH MAGNETIC COUPLE
 THIN AND SPACE SAVING
 MOUNTING IN ANY POSITION
 COST SAVING**



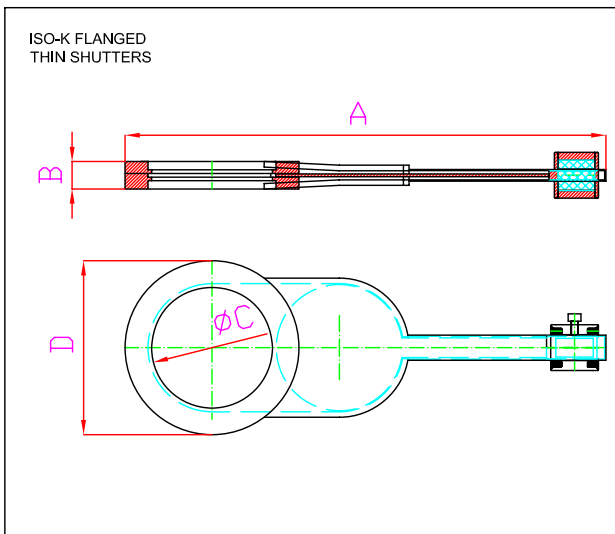
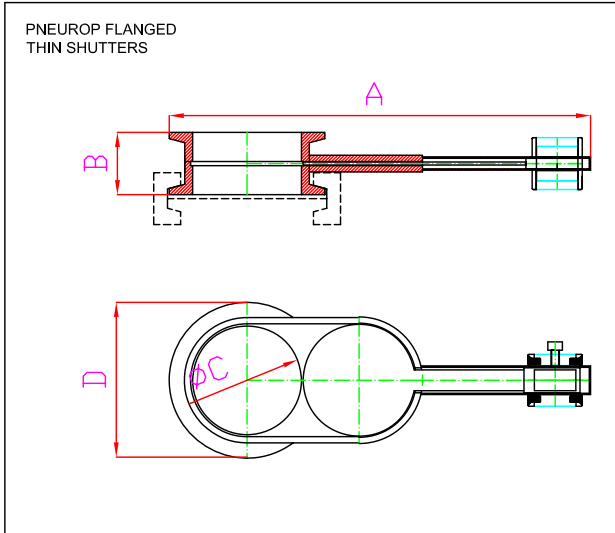
Inside the vacuum system movable shields are suitable to protect viewport or vary the conductance of a pumping line. To overcome this problem we offer a series of shutters designed as a double face flange except for some holes on which some studs are used. For this reason these shields cannot be mounted on a flange with threaded holes. The chosen materials are suitable for UHV and are bakeable up to 300°C without dismantling the magnets. The magnetic couple is very strong so the shutter can be mounted in any attitude.

The main advantage is that you can install these shutters below the window you have on your UHV chamber, without any modification. In flag and venetian blind shutters, some parts remain in the field of view all of the time: in our case, when opened, the viewport section is totally free. The thin shutters are manually operated and can be stopped in any position of the travel with a lock screw. On request special models are available as electropneumatic operated or with an optical filter stucked in the shutter.



CF FLANGED THIN SHUTTERS

Model	A	B	C	D	ORDER CODE
CF40	170	20	39	70	TM 026
CF64	266	22	64	113.5	TM 027
CF100	366	22	102	152	TM 028
CF150	416	22	153	202	TM 029



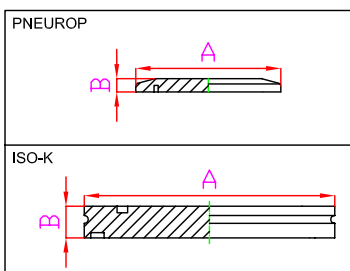
PNEUROP AND ISO-K FLANGED THIN SHUTTERS

Model	A	B	C	D	ORDER CODE
DN40 PNEUROP	165	30	41.2	55	TM 032
DN50 PNEUROP	203	30	52.4	75	TM 033
DN63 ISO-K	256	20	68	102	TM 034
DN100 ISO-K	348	20	100	126	TM 035

PLASTIC WINDOWS

In order to mount more easily and save money, we offer a series of windows in polycarbonate to be installed on the high vacuum systems. These windows have the same sizes as the related blind flanges, so the best angle of view is obtained.

Polycarbonate is an antishock material, used as safety shield in industrial protections, so you don't have a crashing effect as with glass windows.



Model	A	B	Max Temp	ORDER CODE
DN40 PNEUROP	55	5	60°C	AA 601
DN50 PNEUROP	75	5	60°C	AA 602
DN63 ISO-K	95	12	60°C	AA 603
DN100 ISO-K	130	12	60°C	AA 604