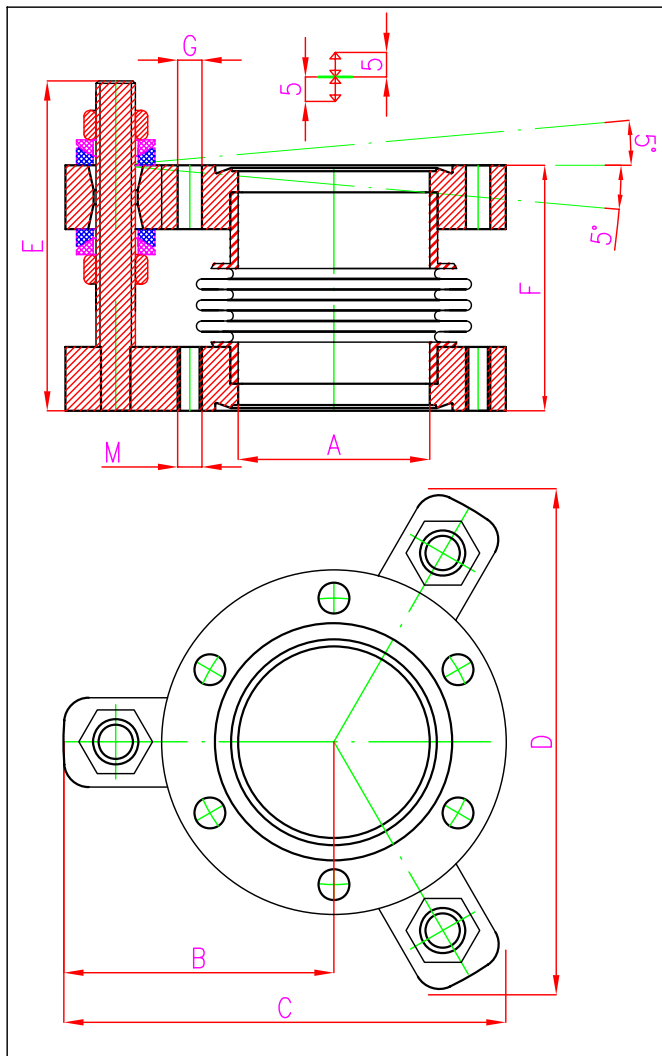


TILT ADJUSTABLE BELLOWS

HYDROFORMED BELLOWS
 LOW OUTGASSING
 BAKEABLE TO 350 °C
 MOUNTING IN ANY POSITION
 VERY THIN AND SPACE SAVING
 RUGGED IN CONSTRUCTION

A precision tilt allows to align linear feedthroughs mainly with long stroke. The adjustable angle is 5°steradians. Also a linear stroke of +/-5mm is possible, but in this case the tilt angle is reduced proportionally. The mounting attitude is indifferent and the load can reach 30 kg.



Two models are available with inside bore 39 and 64 mm,with CF flanges.

In one side the flange holes are tapped. All the inside material are for UHV and the tilts are bakeable to 350°C without any dismounting.

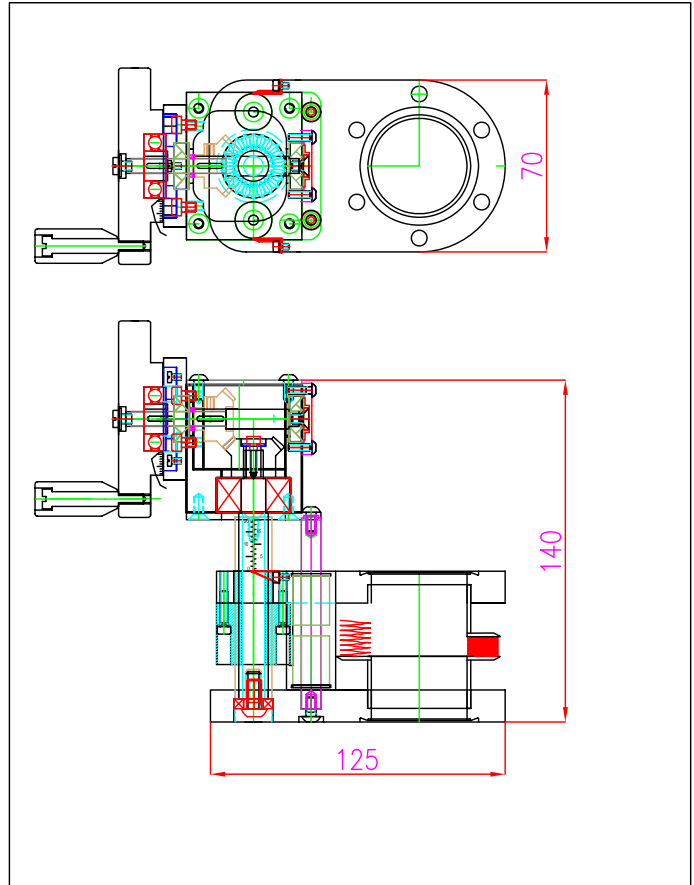
TECHNICAL INFORMATION

Model	CF40	CF64
A	39	64
B	55	93.6
C	89.7	148.2
D	103	170.6
E	67.2	98.1
F	50	76.5
G	Ø6.3	Ø8.4
M	M6	M8
Order Code	TM 008	TM 009

LINEAR TRASLATOR (LT-TH Model)

SCREW DRIVE
 BAKEABLE TO 300 °C
 MOUNTING IN ANY POSITION

These linear transfer mechanisms are designed to produce smooth and controlled linear movement. The 38 mm inside hole allows to mount many services as sample holder, furnace, feedthroughs. Both side flanges have tapped holes.



TECHNICAL INFORMATION

Parallelism of flange faces	within 0.1mm/cm
Concentricity of flange bore	within 0.1mm
Approximate torque required to elevate	1.2 N.m
Clear bore	38 mm
Maximum axial load	250 N
Maximum radial load	10 N
Operating pressure	10*-11mbar to atm.

Model	Flange Tapped holes	L Extended	A Extended	Travel	Shipping wt kg	Code
LT 20TH	CF40	128 mm	55 mm	20 mm	3.5	TM 066 TH
LT 40TH	CF40	173 mm	80 mm	40 mm	4.0	TM 067 TH
LT 80TH	CF40	263 mm	130 mm	80 mm	5.0	TM 068 TH