

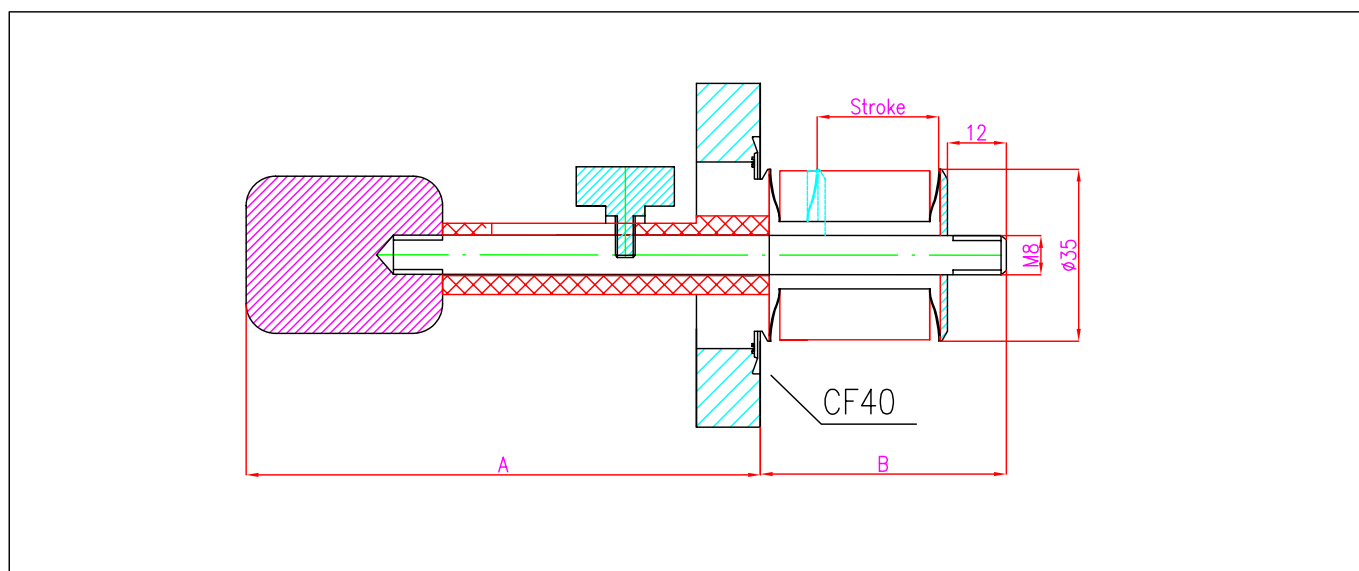
## PUSH / PULL DRIVES (PPD Models)

MANUAL KNOB ACTUATOR  
POSITION LOCK  
BAKEABLE TO 300 °C  
MOUNTING IN ANY POSITION

PPD Push/Pull drivers are devices for linear motion. This series is manually operated and blocked in the required position by a screw. The inside parts are all metal and surface treated to lower the outgassing. Range of travels are from 25 to 250mm.



Model	A Dimension	B Dimension	Travel	Position scale mm	Shipping wt kg	Code
PPD 25	105 mm	50 mm	25 mm	Yes	2.0	TM 050
PPD 50	148 mm	91 mm	50 mm	Yes	2.5	TM 051
PPD 100	180 mm	142 mm	100 mm	Yes	3.0	TM 052
PPD 150	230 mm	203 mm	150 mm	Yes	3.5	TM 053
PPD 200	280 mm	273 mm	200 mm	Yes	4.0	TM 054
PPD 250	350 mm	707 mm	250 mm	Yes	4.5	TM 055

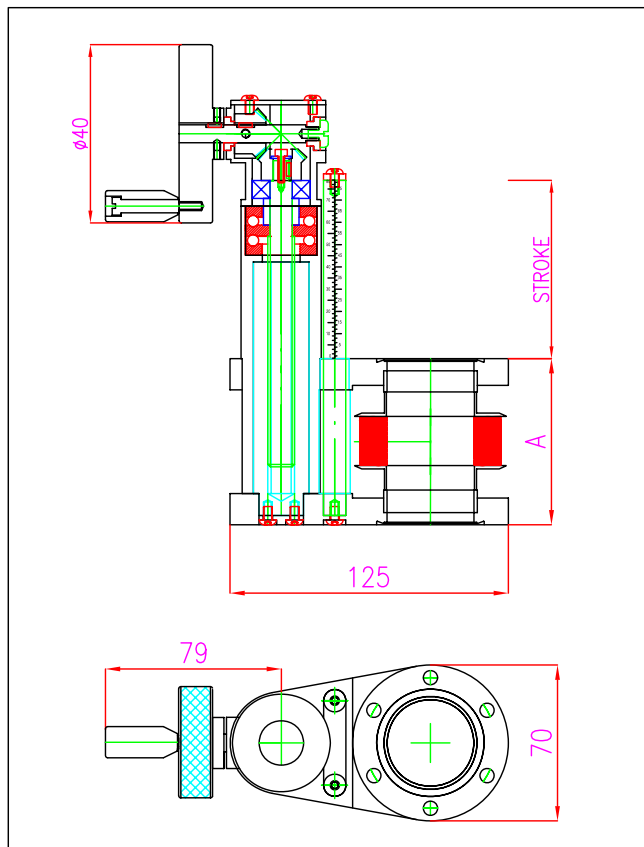


# LINEAR TRASLATOR (LT Model)



These linear transfer mechanisms are designed to produce smooth and controlled linear movement. The 38 mm inside hole allows to mount many services as sample holder, furnace, feedthroughs.

SCREW DRIVE  
 BAKEABLE TO 250 °C  
 MOUNTING IN ANY POSITION



## TECHNICAL INFORMATION

Parallelism of flange faces	within 0.1mm/cm
Concentricity of flange bore	within 0.1mm
Approximate torque required to elevate	1.2 N.m
Clear bore	38 mm
Maximum axial load	250 N
Maximum radial load	10 N
Operating pressure	10*-11mbar to atm.

Model	Flange	A	Travel	Shipping wt kg	Code
LT 20	CF40	61.4 mm	20 mm	3.5	TM 066
LT 40	CF40	65.8 mm	40 mm	4.0	TM 067
LT 80	CF40	74.6 mm	80 mm	5.0	TM 068