

AXIAL MICROMETER MOD. MA

CF40 MOUNTING FLANGE
 CF16 INSIDE MOUNTING FLANGE
 FULLY BAKEABLE TO 350°C



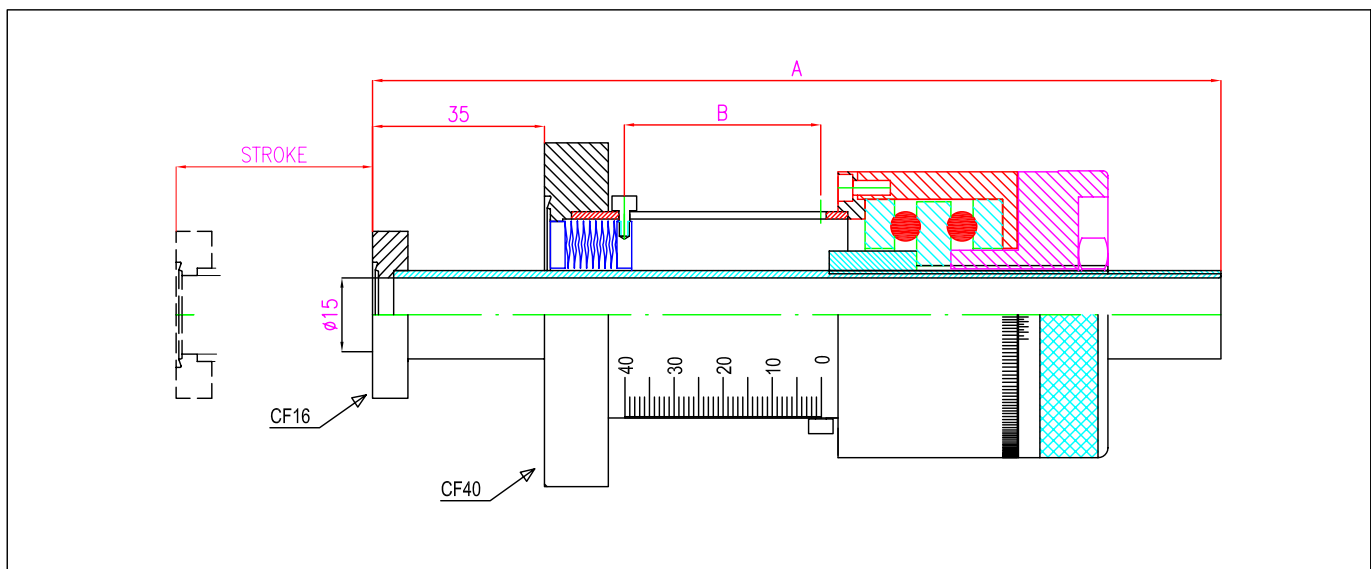
MA axial micrometer are heavy duty traslators designed to move objects accurately in and out of a vacuum system. Coaxially to the CF40 a CF16 flange is inserted inside the vacuum chamber. On this flange is easy to install for example a sample holder with furnace :all the cables pass through the 15mm ID tube and travel togheter the sample holder.

TECHNICAL SPECIFICATIONS

Resolution	0.001 mm at vernier
Bake out temperature	350°C
Maximum axial load	150 N
Maximum radial load	10 N
Torque	0.25 N/m
Operating pressure	10 ⁻¹¹ mbar to atm.

Model	A Dimension	B Travel	Position scale mm	Shipping wt kg	Code
MA40	173 mm	40 mm	Yes	2.0	TM 060
MA80	283 mm	80 mm	Yes	2.5	TM 061

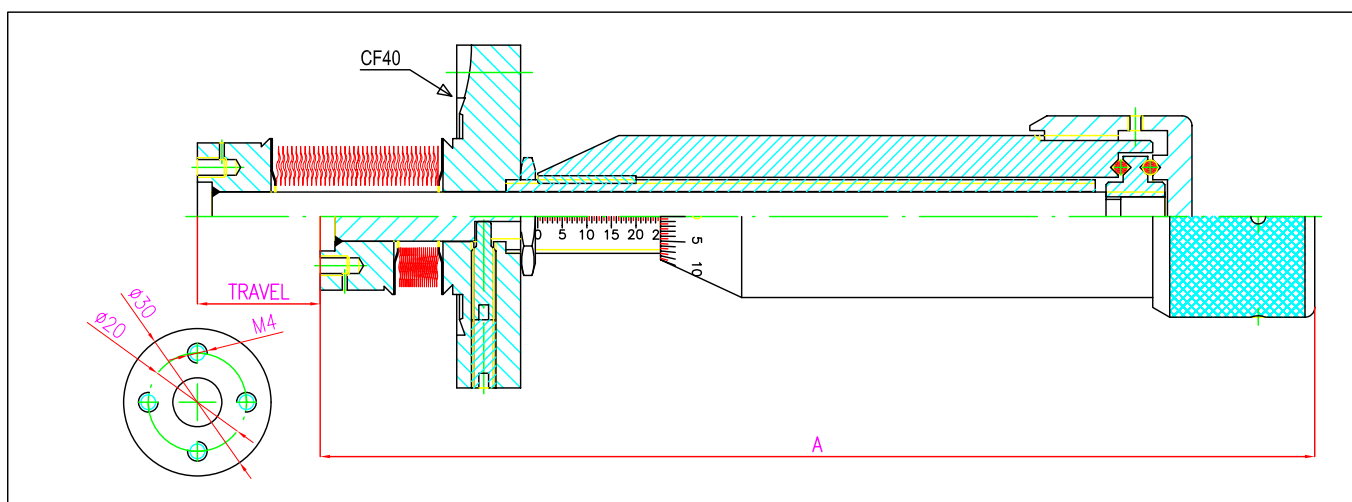
On request other flanges as CF64,CF100 are disponible



PRECISION LINEAR TRASLATOR (PL Model)

MICROMETRIC SCREW DRIVE
 BAKEABLE TO 350 °C
 MOUNTING IN ANY POSITION
 HIGH LOAD

These linear mechanisms are designed to produce smooth and controlled linear movement through a micrometric screw. All the inside parts are made in 316L, TIG welded. The coupling to the vacuum system is made by CF 40 flange (other type on request).



TECHNICAL INFORMATION

Resolution	1/50mm
Bake out temperature	350°C
Maximum axial load	250 N
Maximum radial load	10 N
Torque	0.25 N/m
Operating pressure	10*-11mbar to atm.

Model	Flange	A	Travel	Shipping wt kg	Code
PL 25	CF40	61.4 mm	25 mm	1 Kg	TM 018
PL 50	CF40	65.8 mm	50 mm	1.1 Kg	TM 019
PL 100	CF40	74.6 mm	100 mm	1.3 Kg	TM 020