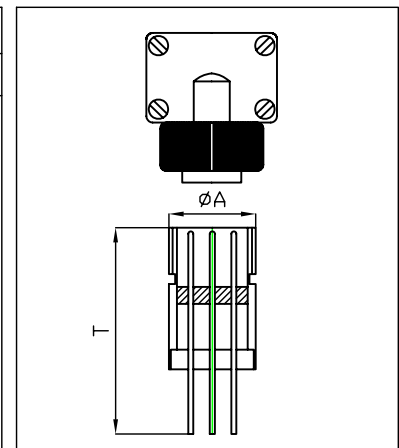


MULTIPIN CONNECTORS FOR ULTRA HIGH VACUUM

Insulation resistance $>10^{-10} \Omega(500V)$
 Breakdown 500 V
 Supplied with JAEGER air plug
 Tightness $<10^{-9}$ mbar/l sec
 Bakeable up to 450°C without plug
 Insulator glass
 Contact and housing kovar



CONTACTS				ØA mm	T	CODE					
n.°	Ø2	Ø3	Ø4			Welding	DN	Flange	CF	Flange	
3	1	2		M21	47	AA 401	25	AA 411	16	AB 411	
4	4			M21	42	AA 402	25	AA 412	40	AB 412	
4			4	M27	42	AA 403	40	AA 413	40	AB 413	
6	6			M21	47	AA 404	25	AA 414	40	AB 414	
12	12			M27	52	AA 405	40	AA 415	40	AB 415	
17	15	2		M39	71	AA 406	40	AA 416	40	AB 416	
25	23	2		M45	71	AA 407	50	AA 417	63	AB 417	
35	33	2		M52	71	AA 408	50	AA 418	63	AB 418	
52	52			M52	71	AA 409	50	AA 419	63	AB 419	



SIGNAL COAXIAL FEEDTHROUGH BNC

These BNC feedthroughs are designed for UHV.
 Bakeable up to 400°C with gradient of 20°C/min

Allumina insulator

Voltage : 500V

Current : 3 A

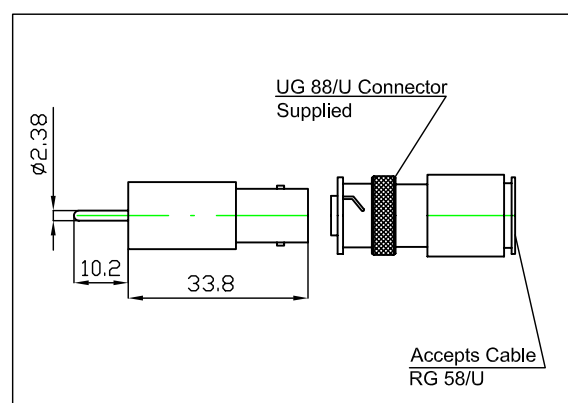
Operating temperature : -200 to 400°C

For baking over 250°C, it is necessary to remove the air plug, as it contains some teflon parts.

The electrical connector includes the air side plug.

The feedthrough is designed to be welded:
 VACUO can manufacture different combinations also with other types of feedthroughs welded on standard or special flanges.

Code : welding type **AA 398**
 welded on CF16 flange **AB 399**
 welded on CF40 flange **AB 400**



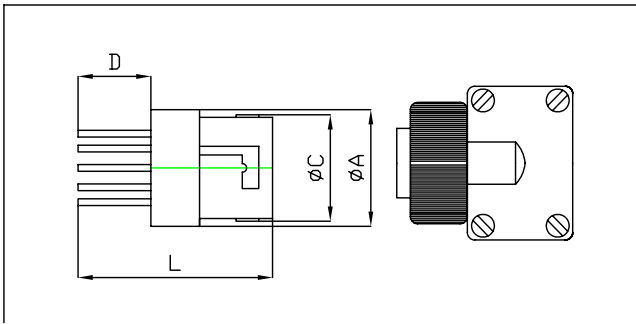
MULTIPIN MINI JAEGER CONNECTORS



Multipin mini Jaeger connectors are electrical feedthroughs with variable number of Kovar conductors passing through a glass disk based on a Kovar metallic base. Kovar base is designed to be welded on a stainless steel flange.

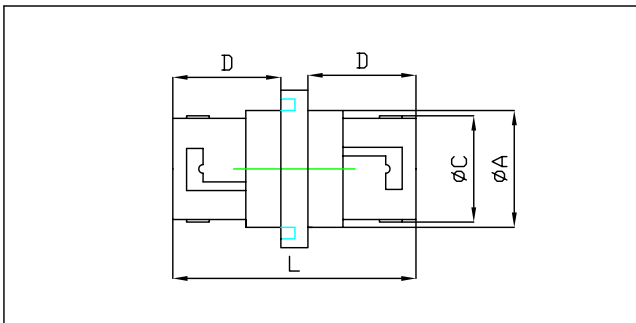
Insulation resistance $>10^{-12} \Omega(500V)$
 Breakdown 2000 V
 Supplied with miniature JAEGER plug ins
 Tightness $<10^{-9}$ mbar/l sec
 Bakeable up to 450°C without plug
 Insulator glass
 Contact and housing Dilver P1

WELDING TYPES SINGLE PLUG



PINS	ØA	ØC	D	L	CODE
12	24	23	15	40	AA 421
19	24	23	15	40	AA 422
27	29	29	15	40	AA 423
37	29	29	15	40	AA 424
55	41	41	15	40	AA 425

WELDING TYPES DOUBLE PLUG



PINS	ØA	ØC	D	L	CODE
12	34	23	24	55	AA 426
19	34	23	24	55	AA 427
27	39	29	24	55	AA 428
37	39	29	24	55	AA 429
55	51	41	24	55	AA 430

