

PRECISION ROTARY DRIVES

- CONTINUOUS ROTATION
- TWO BALL BEARINGS FOR EACH MOVEMENTS
- FULLY BAKEABLE TO 350°C
- ANGULAR REPEATIBILITY OF 0,5°



PR34 rotary drives

The VACUO rotary drives are designed to use in ultra high vacuum.

The drives are supplied as standard with graduated handwheel and vernier scale 1° increments for accurate positioning. A locking screw allows the drive to be held in position if required.

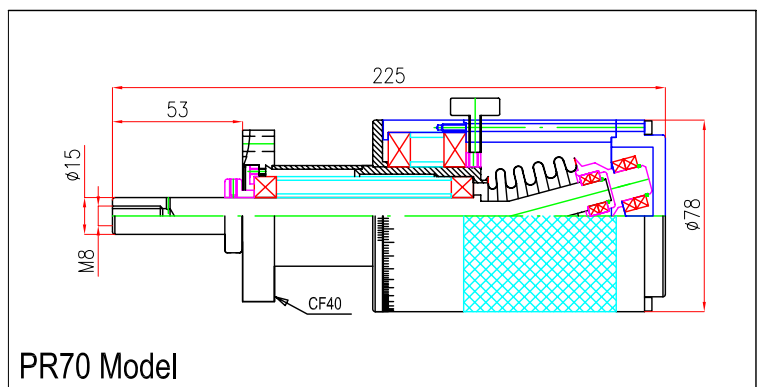
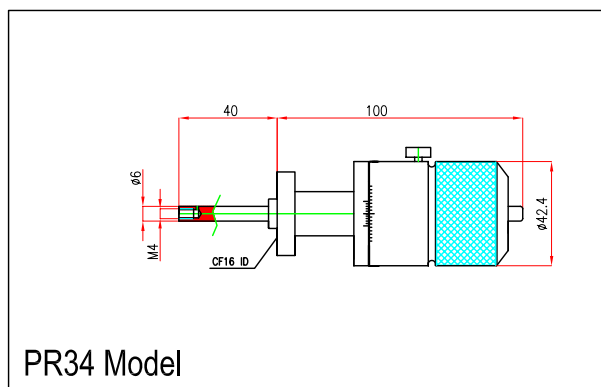
For automatic operations, there are version that incorporate either stepper motor or an integrated stepper motor with gearbox, or DC motor drive. This allows a range of speeds, torques, and accuracies to be achieved.



PR70 rotary drive

Model	OD mounting CF flange	Type of operation	Resolution	Torque Nm		Thrust N	Code
				150RPM	5RPM		
PR34	34 mm	manual	1°		1.0	10	TM 040
PR70	70 mm	manual	0.5°		2.5	20	TM 041
PR34M	34 mm	DC motorised		0.2	1.0	10	TM 038
PR34S	34 mm	stepper motorised	0.5°	0.4	1.0	10	TM 039
PR70M	70 mm	DC motorised		0.4	2.0	20	TM 042
PR70S	70 mm	stepper motorised	0.1°	0.6	2.5	20	TM 043

Dimensions in mm

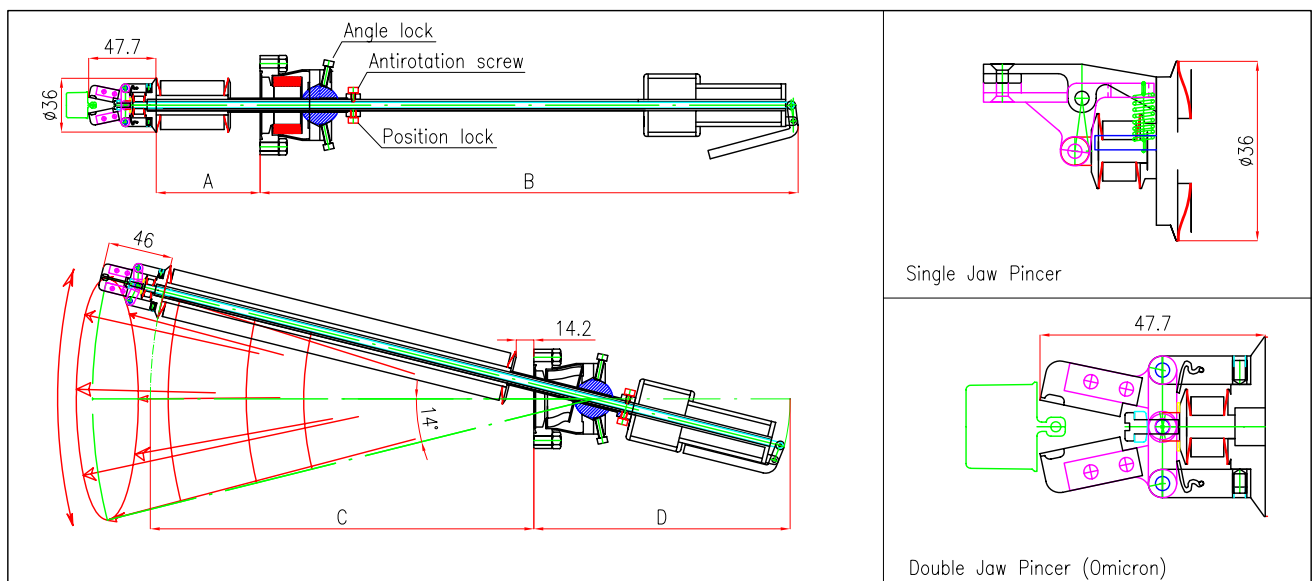


WOBBLE STICK PINCERS - WSP Model

VACUO WSP enables hand operated movements to be transmitted through the ultra high vacuum wessel wall. Normally they are supplied on a CF40 flanges and are bakeable to 300°C without dismantling. Wsp are used to transfer samples or as actuators to move mechanisms inside vacuum systems. VACUO has manufactured different models of WSP : in this brochure two models are shown.



WPS 200 Mechanism



The pincer can be set at any angle on 0-360° range. Spring closing actions of jaws can be mounted both positive and negative.

Customising of pincer/jaws to meet specific customer applications is available.

TECHNICAL INFORMATION

Model	Flange	Linear travel	Angular movement	Pincer angle setting 0-360°	Dimensions in mm				Code
					A	B	C	D	
WSP200	CF40	200 mm	±14°	any	70.4	380	270.4	180	TM 018
WSP300	CF40	300 mm	±14°	any	92.4	502	392.4	202	TM 019
WSP200/1	CF40	200 mm	±14°	any	70.4	380	270.4	180	TM 020
WSP200/2	CF40	200 mm	±14°	any	70.4	380	270.4	180	TM 018
WSP300/1	CF40	300 mm	±14°	any	92.4	502	392.4	202	TM 019
WSP300/2	CF40	300 mm	±14°	any	92.4	502	392.4	202	TM 020