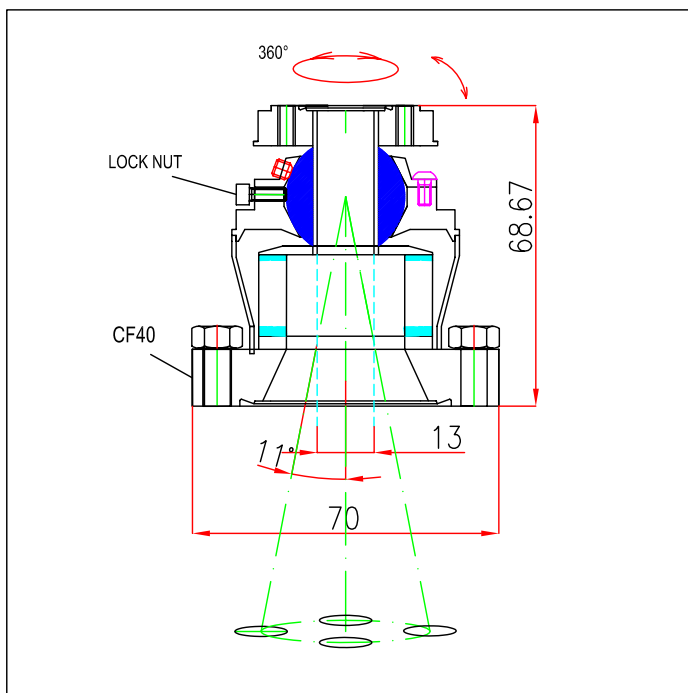


CF40-CF16 OPTICAL VIEWER

- * FULLY BAKEABLE TO 300 °C
- * 22° STERADIANT
- * MOUNTING IN ANY ATTITUDE
- * OPERATING VACUUM 2.10*-11mbar

Designed for application in Ultra High Vacuum, OV22 Optical Viewer is a manipulator manually operated on a 22° solid angle by two handles : one handle rotates continuously 360° the bearing all around the CF16; the second one induces 11° oscillation on the CF16. Two screws allow to lock in position the CF16. On the bearing many instruments are available .

Typically a PLD laser can rotate around the center of the quartz window striking different targets; as CF16 window oscillates , but do not rotate , the quartz window life is more durable.



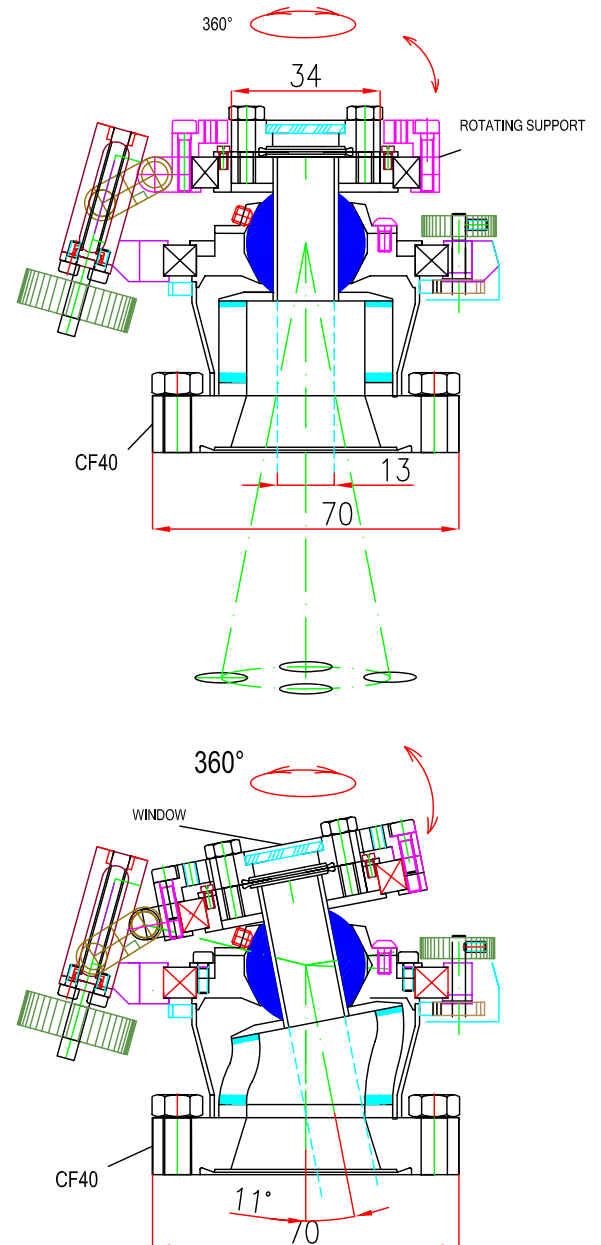
OV22 Manual Optical Viewer

Mounting flange	CF40ID
Optical flange	CF16ID
Bakeout	300°C
Steradian angle	22°
Operating vacuum	2.10*-11mbar
Ordering code	TM 002 001

OV22 Driven Optical Viewer

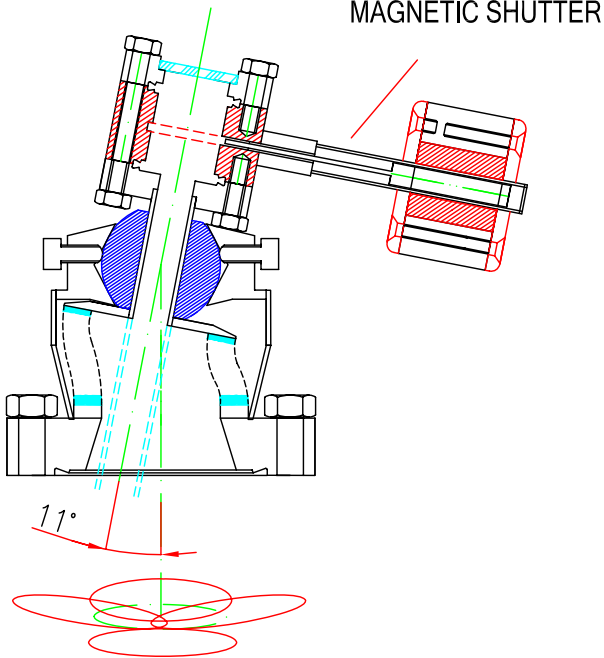
Mounting flange	CF40ID
Optical flange	CF16ID
Bakeout	300°C
Steradian angle	22°
Operating vacuum	2.10*-11mbar
Ordering code	TM 002 002

CF16 window can oscillate , but not rotate

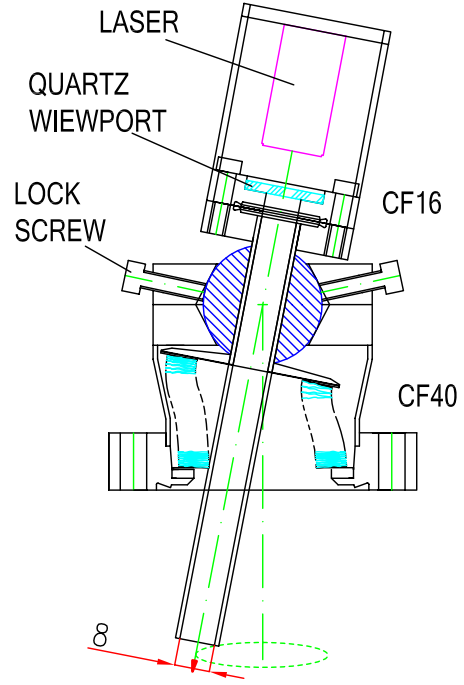


Applications

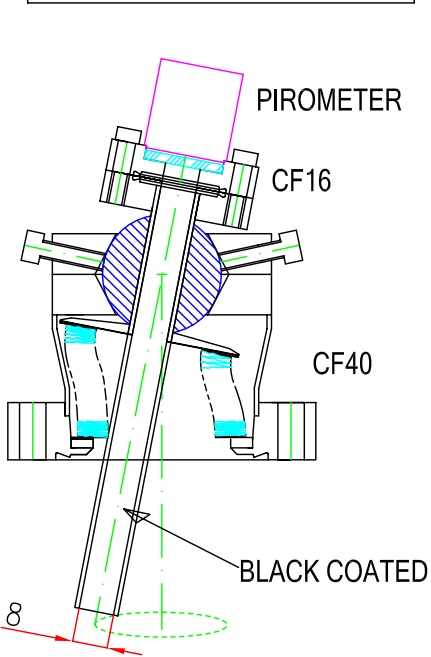
PLD
Evaporation
Lighting



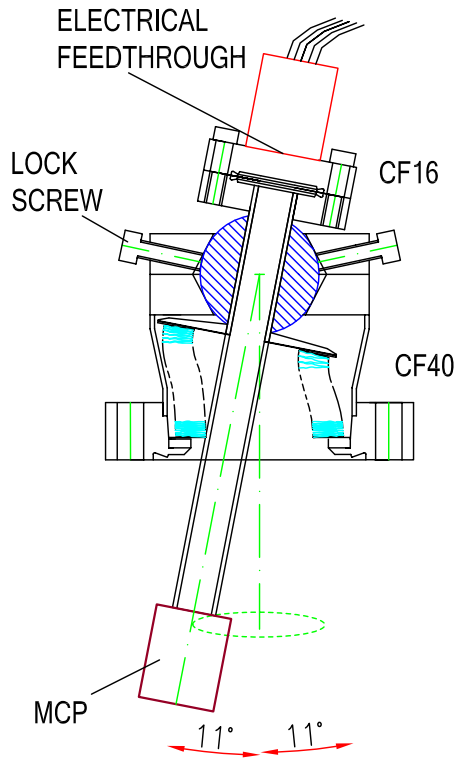
Surface scan
Laser evaporation
Thickness monitor



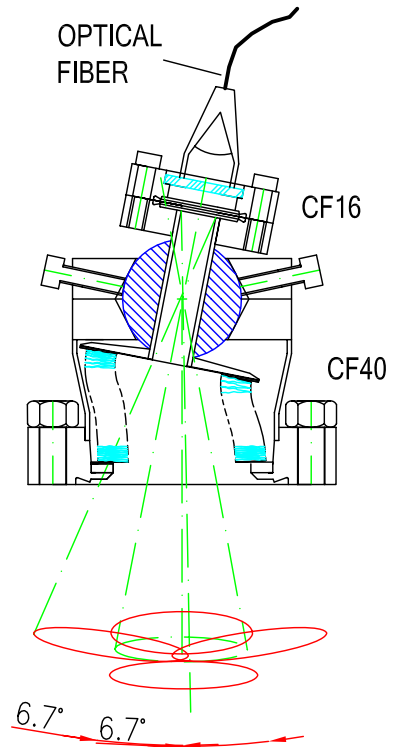
Temperature mapping
Temperature measurement



Signal mapping
Ion gun rastering



3D projection mapping



CF100-CF40 OPTICAL VIEWER

- * FULLY BAKEABLE TO 300 °C
- * 30° STERADIANT
- * MOUNTING IN ANY ATTITUDE
- * OPERATING VACUUM 2.10⁻¹¹mbar

Designed for application in Ultra High Vacuum, OV30 Optical Viewer is a manipulator manually operated on a 30° solid angle by two handles : one handle rotates continuously 360° the bearing all around the CF40; the second one induces 15° oscillation on the CF40. Two screws allow to lock in position the CF40. On the bearing many instruments are available .

Typically a PLD laser can rotate around the center of the quartz window striking different targets; as CF40 window oscillates , but do not rotate , the quartz window life is more durable.

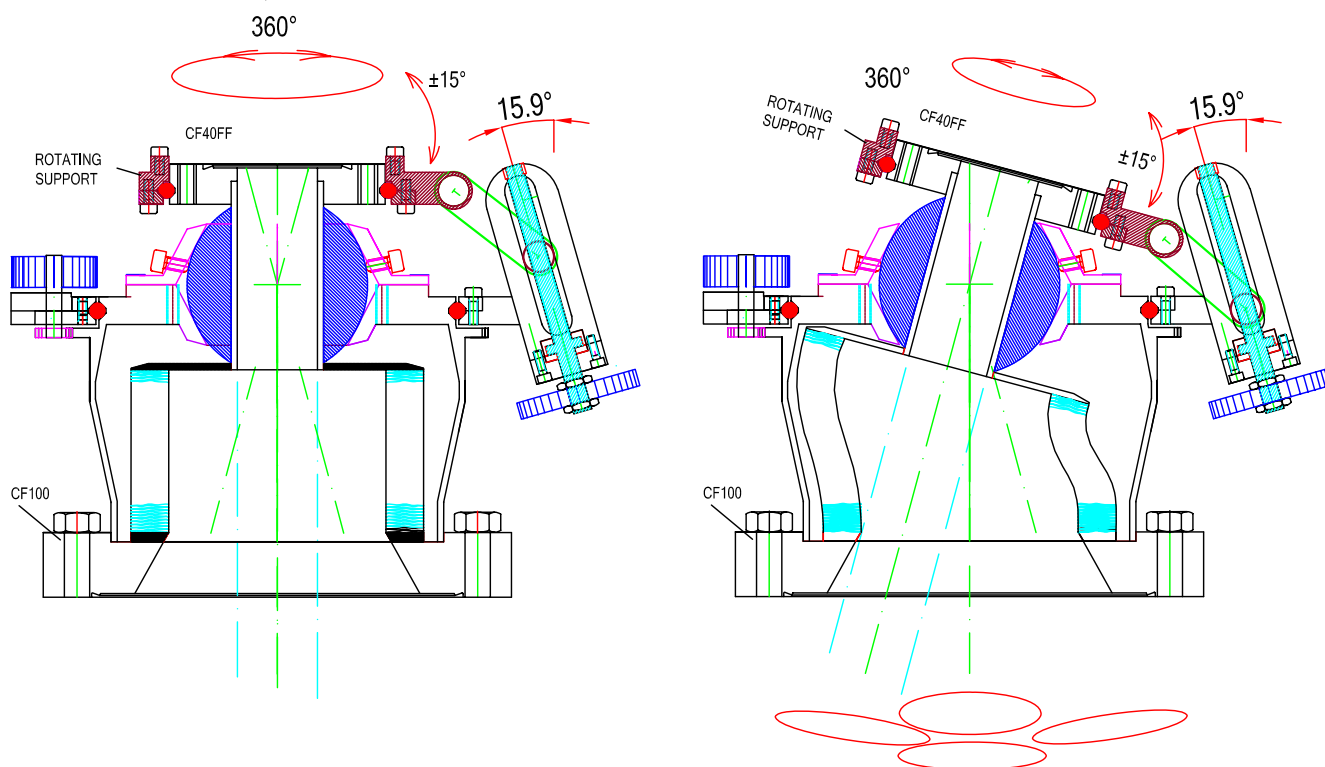
OV30 Driven Optical Viewer

Mounting flange	CF40ID
Optical flange	CF16ID
Bakeout	300°C
Steradian angle	30°
Operating vacuum	2.10 ⁻¹¹ mbar
Ordering code	TM 003 001

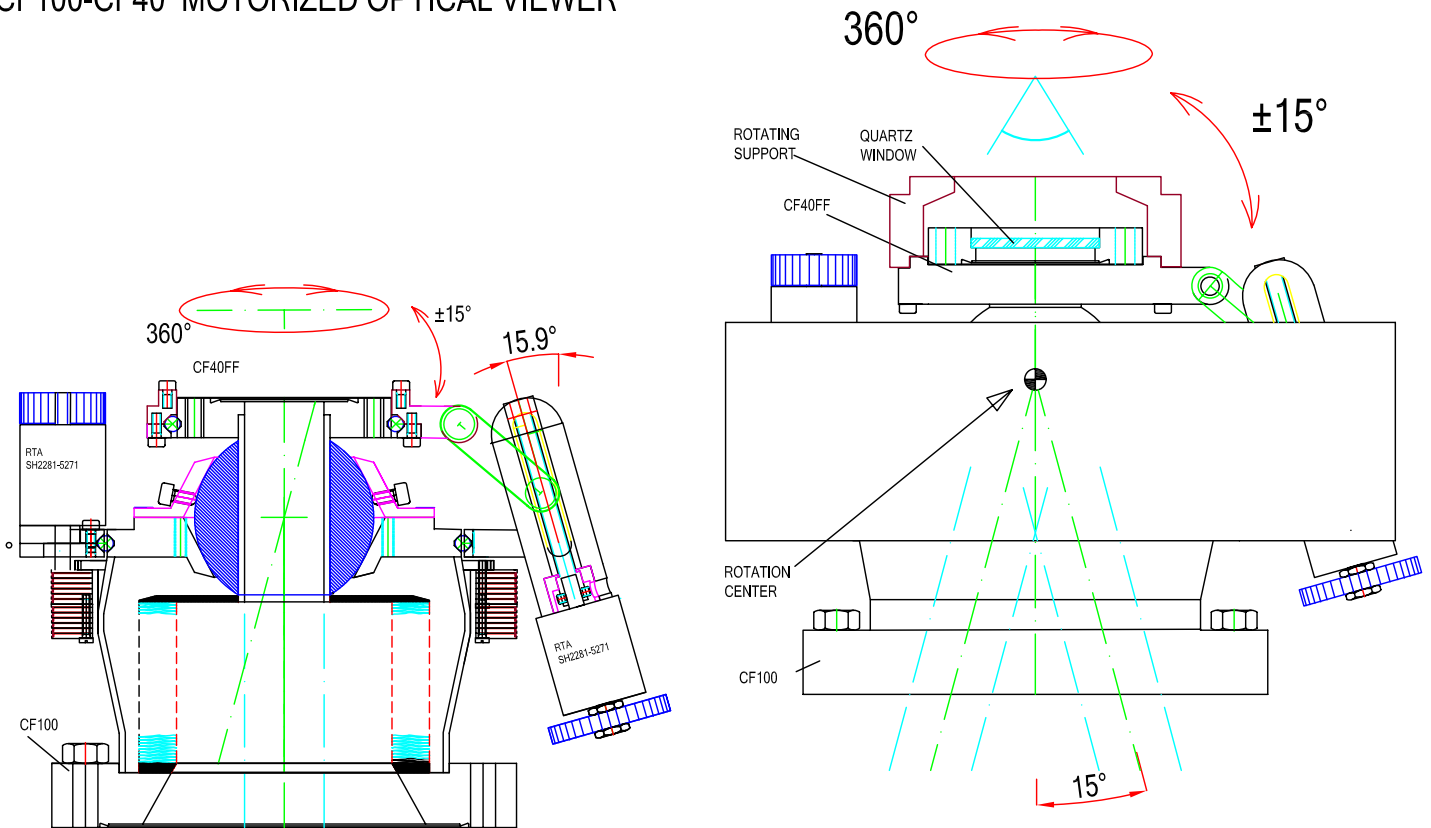
OV30 Motorized Optical Viewer

Mounting flange	CF40ID
Optical flange	CF16ID
Bakeout (without motors)	250°C
Steradian angle	30°
Operating vacuum	2.10 ⁻¹¹ mbar
Ordering code	TM 003 100

CF40 window can oscillate , but not rotate



CF100-CF40 MOTORIZED OPTICAL VIEWER



PLD evaporator

Pulsed laser is driven automatically on four exchangeable targets

