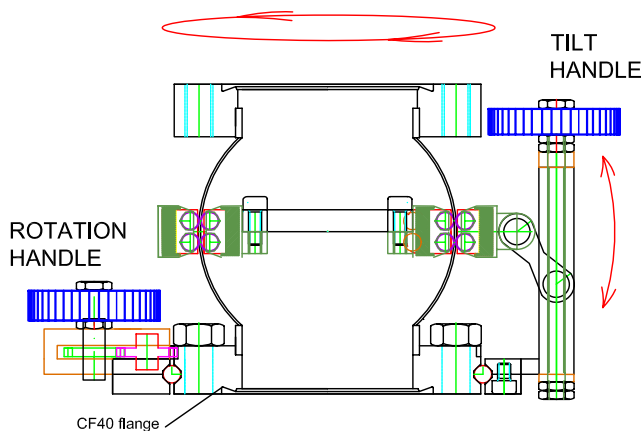


## CF40 MAGNETIC STERADIANT VIEWER -Mod MSV

- \* FULLY BAKEABLE TO 300 °C
- \* TILL 54° STERADIANT
- \* MOUNTING IN ANY ATTITUDE
- \* OPERATING VACUUM 2.10\*-11mbar

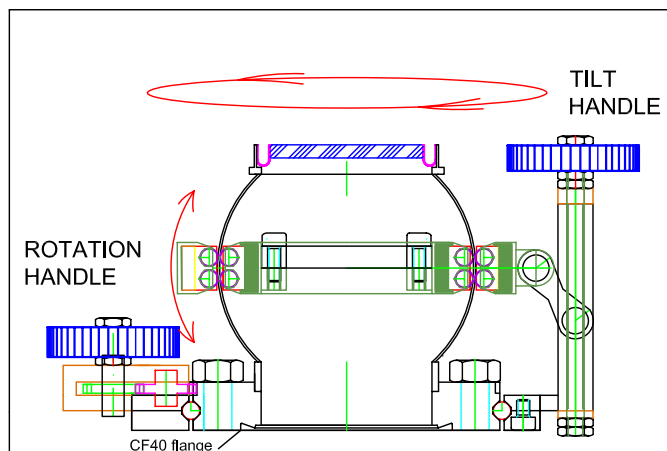
Designed for application in Ultra High Vacuum, OV22 Optical Viewer is a manipulator manually operated on a 22° solid angle by two handles : one handle rotates continuously 360°the bearing all around the CF16; the second one induces an oscillation between the two CF40 flanges .On the bearing many instruments are available . Typically a PLD laser can rotate around the center of the quartz window striking different targets, so the quartz window life is more durable.



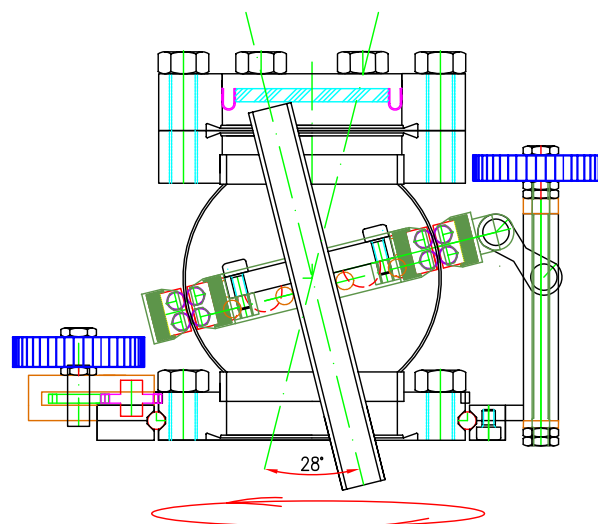
We have many designs, contact the factory for your application

### CF40 Magnetic Steradiant Viewer MSV

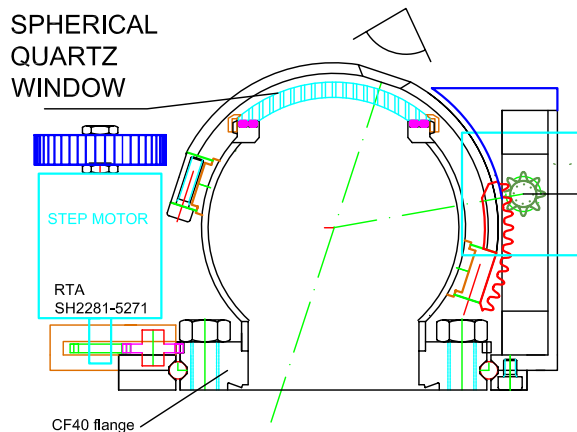
Mounting flange	CF40ID
Bakeout (WITHOUT MOTOR)	300°C
Steradiant angle	Till 54°
Operating vacuum	2.10*-11mbar
Ordering code	TM 005 XXX



### Welded-Mod MSV-CF40



### CF40 Window-Mod MSV-CF40



### Spherical Window-Mod MSV-CF40

APPLICATIONS

