

UHV ROTATING PLATFORM

LOW COST
SMALL SIZES
DINAMIC SEALS
MOUNTING IN ANY POSITION
BAKEABLE AT 250°C
HIGH LOAD

Rotating platforms RP models provide 360° of continuous rotary freedom through the vacuum wall of an UHV system. High precision and stability during the rotation is made by two ball bearings inserted between two CF flanges. The seals are a new generation of materials practically unaffected by the permeability of light gas. Standard models are from CF16 till CF250 flange. Larger I.D. have been built up to 1300mm with excellent performance. For special application consult our technical staff.

TYPICAL PERFORMANCE SPECIFICATIONS

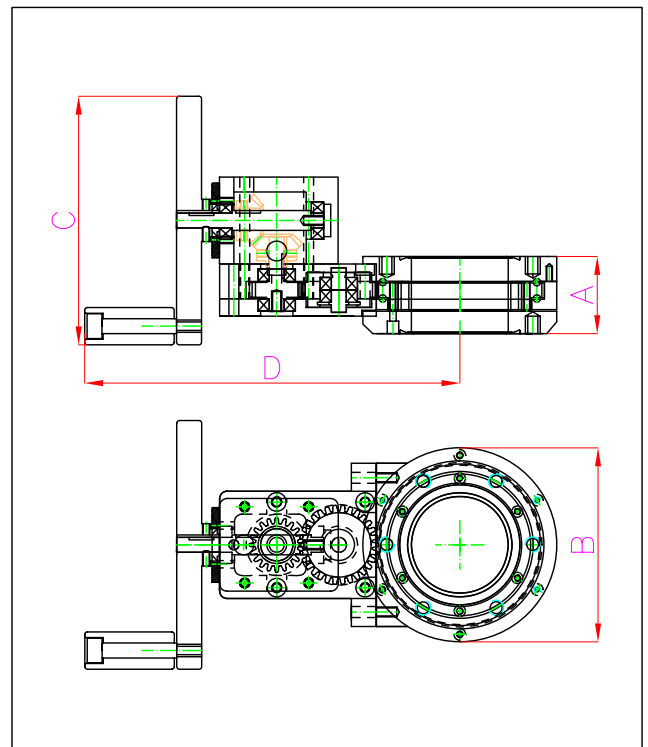
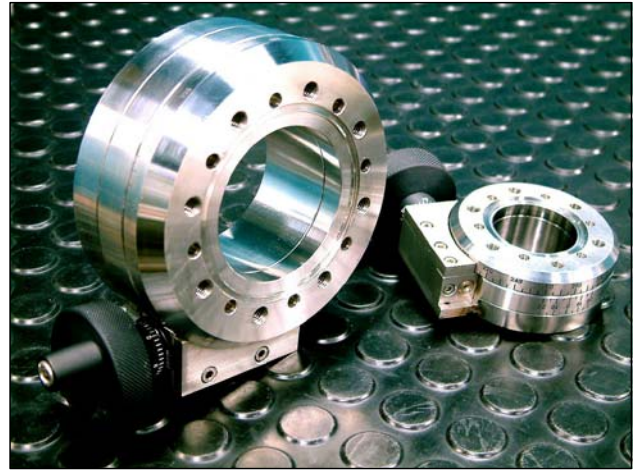
Resolution <math><0.05^\circ</math> at Vernier
Repeteability <math><0.01^\circ</math>
Backlash <math><0.04</math>

SPECIFICATIONS

Both flanges with tapped holes
Base pressure <math><10^*-10\text{mbar}</math>
0-360° scale with vernier
Bakeable <math><250^\circ\text{C}</math>
Leak <math><2.10^*-10\text{mbar.l/sec}</math>

Materials :

-body :316 L
-seals : filled teflon
-pinion : bronze
-handle : Al



Model	I.D. mm	A mm	B mm	C mm	D mm	Axial payload kg	Ordering number
RP16	16	31	70	80	140	30	TM 101
RP40	39	31	78	80	150	50	TM 102
RP64	64	51	128	80	172	80	TM 103
RP100	102	57	166	80	191	100	TM 104
RP150	153	60	220	80	220	120	TM 105
RP200	200	60	265	80	250	150	TM 106
RP250	250	60	310	80	280	180	TM 107

MOTORISED UHV ROTATING PLATFORM

To improve movement quality and angular precision, the RP are motorized. Depending on the application, DC or stepping motor can be chosen. A simple solution with DC gearmotor is proposed: the module is a small, front panel mounted, low price motor driver. This variable speed DC motor control, single driver pack incorporates on/off switch, forward, reverse, park and speed control.

OPTIONS

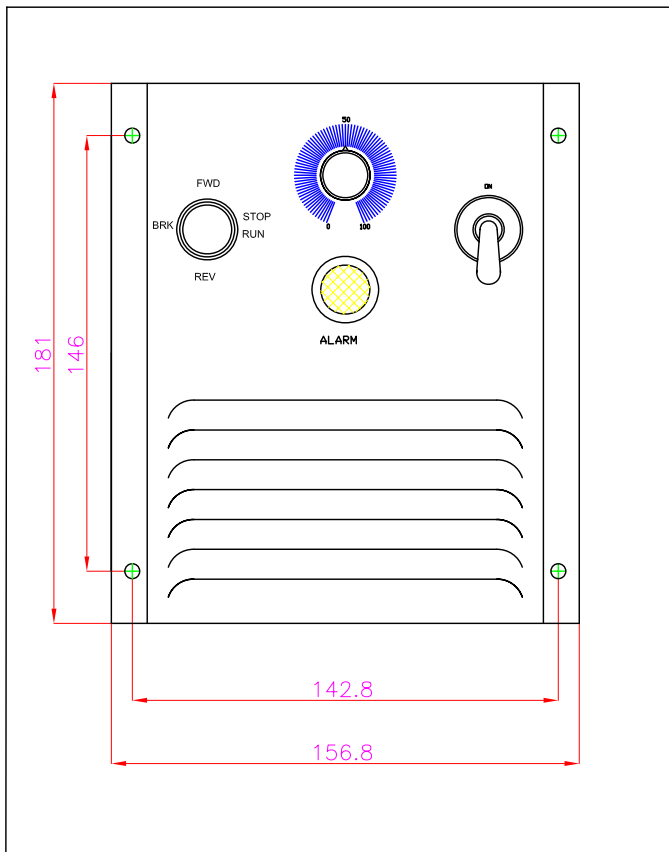
- position switches(home/alarm)
- encoder
- brakes

OTHER MOTORS

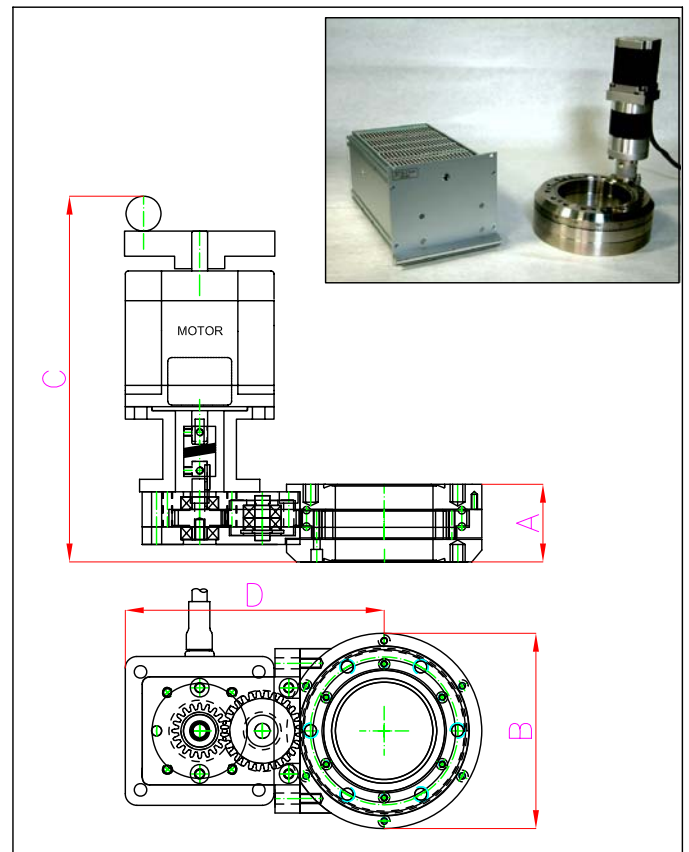
Considering the fast evolution of the motors and the large number of models we suggest to contact our staff to solve your requirements.

PERFORMANCE SPECIFICATIONS WITH STEPPING MOTOR AND ANTI-BACKLASH

- motor resolution : 0.005 per half step
- repeatability : 0.008°
- backlash : 0.005°



DC motor driver (depth 100mm)



DC gearmotor on rotating platform

Model	I.D mm	A mm	B mm	C mm	D mm	E mm	Axial payload kg	Ordering number
RP40M	40	31	78	128	103	59.4	80	TM 112
RP64M	64	51	129	128	119	59.4	80	TM 113
RP100M	102	57	168	128	136	59.4	100	TM 114
RP150M	153	60	220	128	152	59.4	120	TM 115
RP200M	200	60	265	128	174	59.4	150	TM 116
RP250M	250	60	310	128	203	59.4	180	TM 117